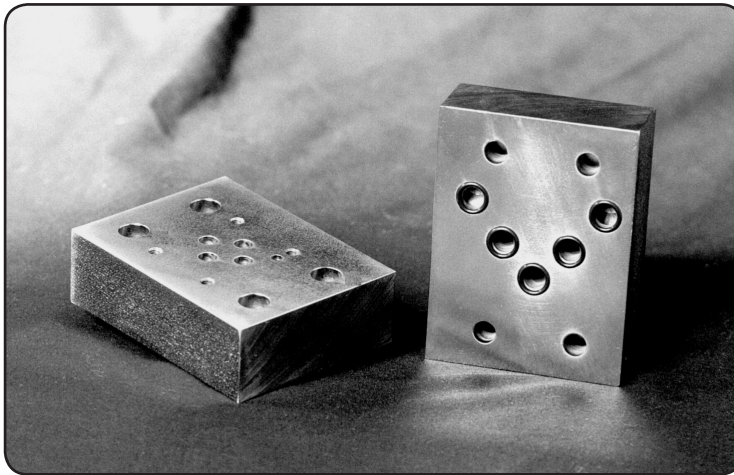
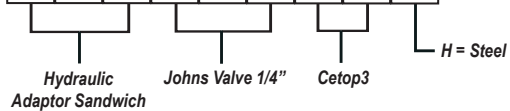




HASJ04C3H* Adaptor Sandwich - Johns Valve 1/4" to Cetop3

H A S J 0 4 C 3 H



Specifications

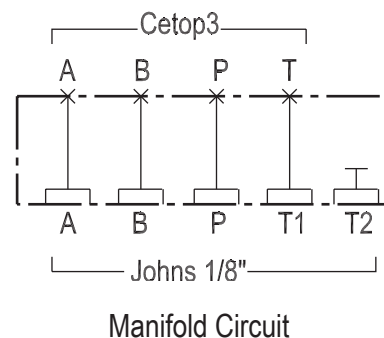
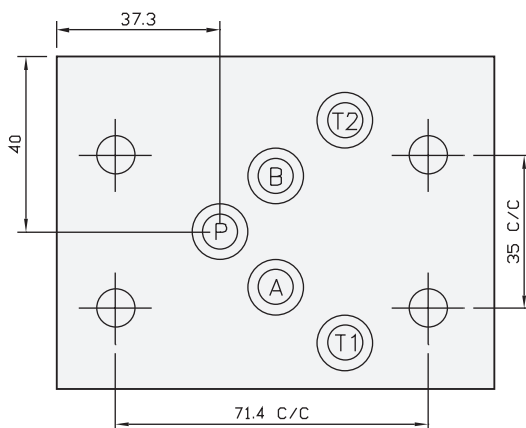
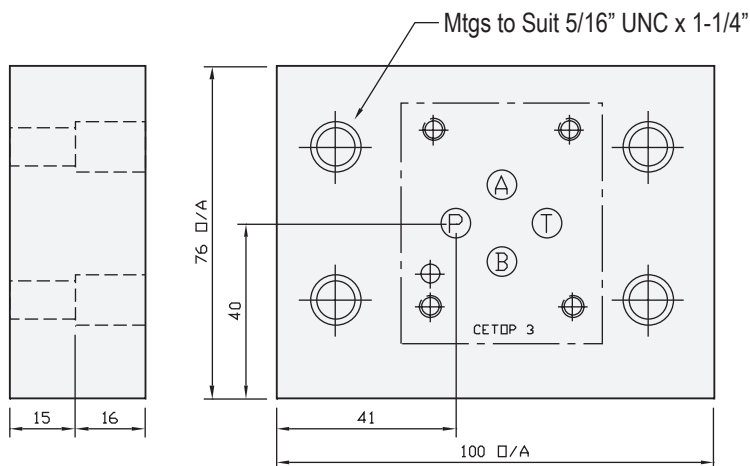
Material : Steel - S1214
Max. Working Pressure : Steel - 350 Bar
Surface Treatment : Steel - Zinc Gold Passivation

Included Components

Socket Head Cap Screws : 4 each 5/16" UNC x 1-1/4"
O-Rings : 5 each N9-012

Technical Details

Valve Interface Mtg Threads M5



Projection



ADAPTORS

Part Number	Nominal Mass Kg
HASJ04C3H	1.8