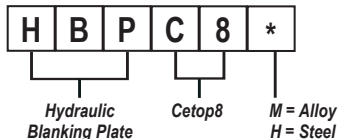




HBPC8*

Blanking Plate - Cetop8



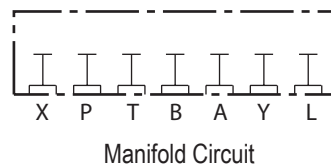
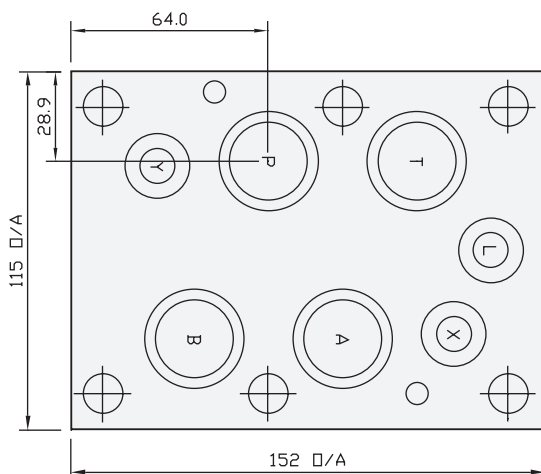
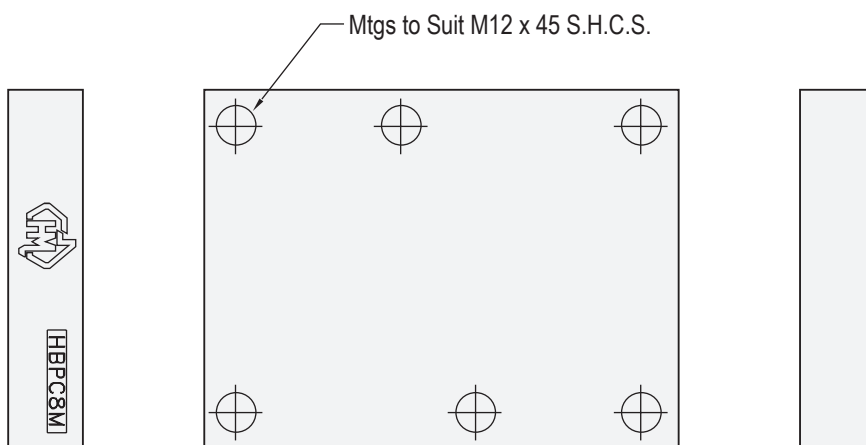
Specifications

Material :	Alloy 6061-T6	Steel - S1214
Max. Working Pressure :	Alloy - 210 Bar	Steel - 350 Bar
Surface Treatment :	Alloy - Nil	Steel - Zinc Gold Passivation

Included Components

Socket Head Cap Screws :	6 each M12 x 45
O-Rings :	3 each N9-114 , 4 each N9-121

Technical Details



CETOP8

Part Number	Nominal Mass Kg
HBPC8H	3.2
HBPC8M	1.5