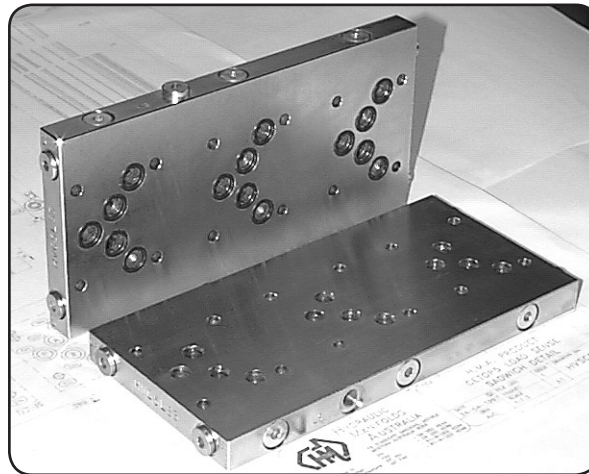
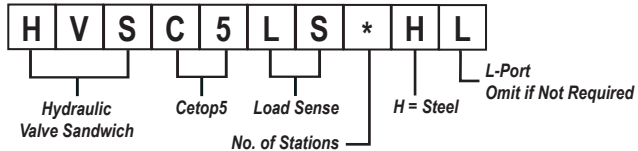




HVSC5LS*H* Load Sense Sandwich - Cetop5 - Steel



CETOP 5

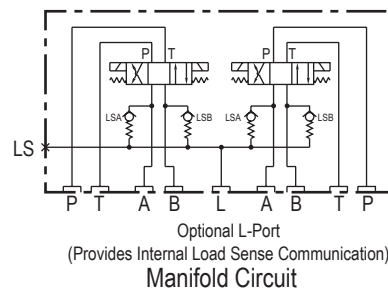
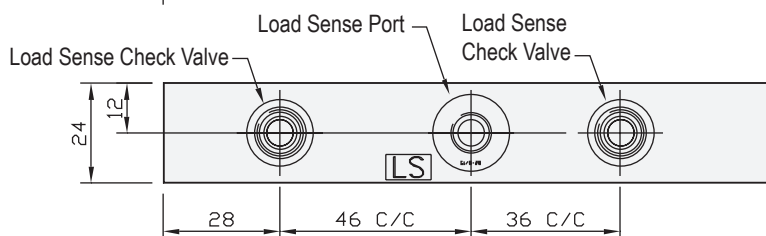
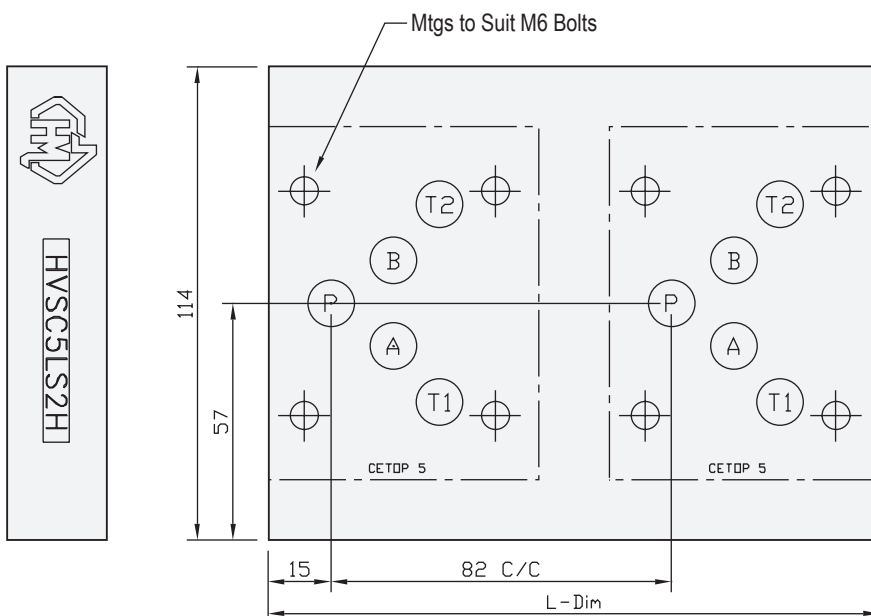
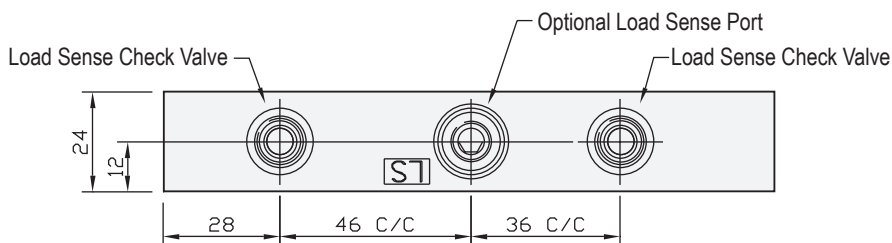
Specifications

Material :	Steel - S1214
Max. Working Pressure :	Steel - 250 Bar
Surface Treatment :	Steel - Zinc Gold Passivation
Port Sizes :	LS- 1/8" BSPP

Included Components

O-Rings :	5 each station N9-014 , 1 each N9-014 (Where L-Port is Req'd)
CP-104 Load Sense Check Valves :	2 each station
Plugs :	1 each station 1/8" BSPP

Technical Details



Part Number	L Dim	Nominal Mass Kg
HVSC5LS1H	70	1.2
HVSC5LS2H	147	2.8
HVSC5LS3H	229	4.4
HVSC5LS4H	311	6.0

ALL SIZES MADE TO ORDER



CP-104 - Load Sense Check Valves Available Separately