



HSPC5D**

Subplate - Cetop5 - Dual Tank Port

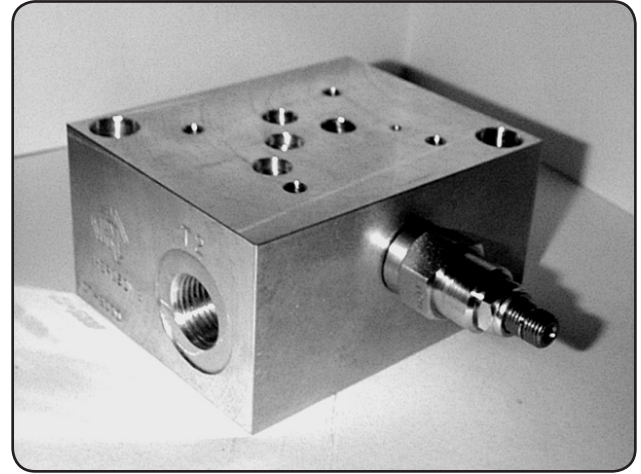
H S P C 5 D * *

Hydraulic Subplate

Cetop5 Dual Tank Ports

M = Alloy
H = Steel

S = Sun Relief Cavity T10-A
C = Common Relief Cavity C10-2
Omit If No Relief Required



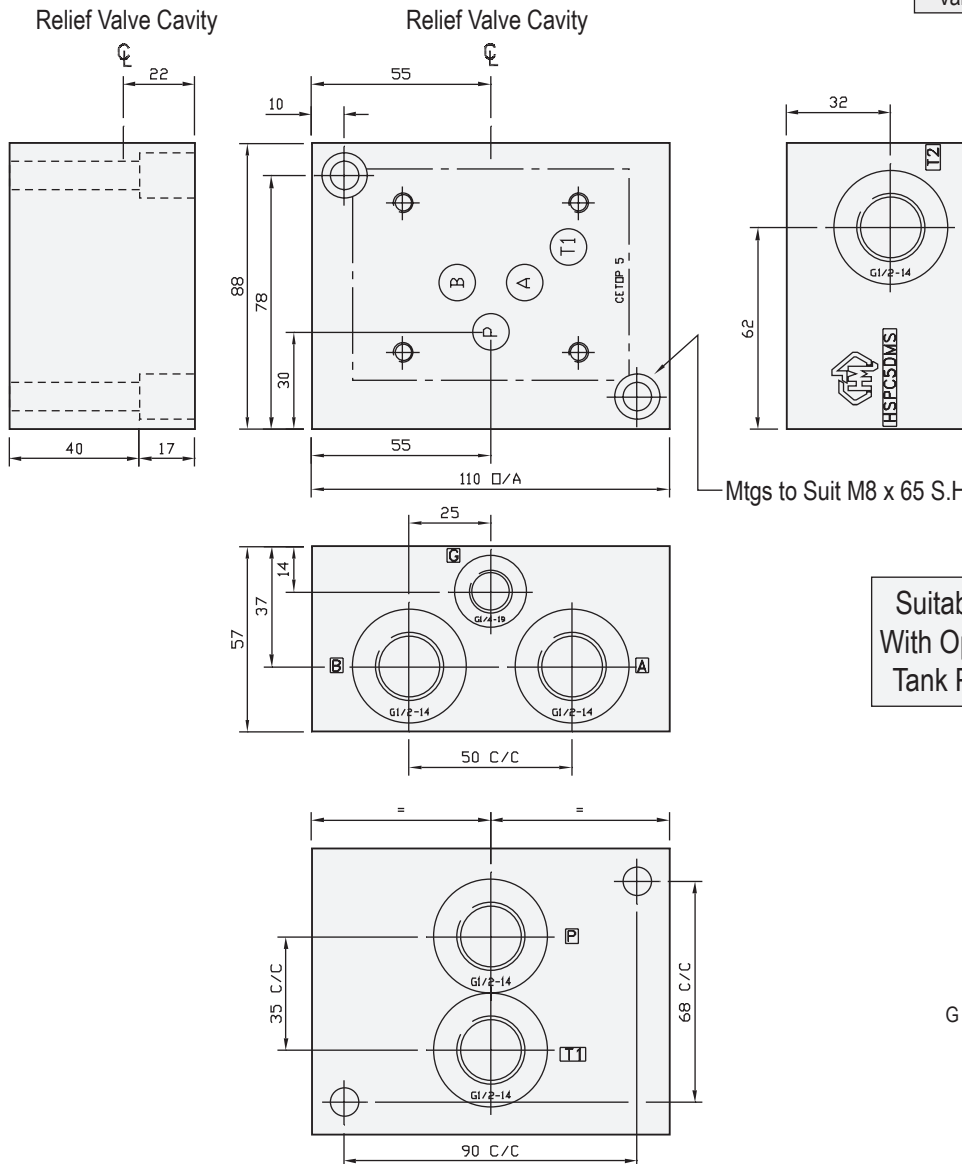
Specifications

Material :	Alloy 6061-T6	Steel - S1214
Max. Working Pressure :	Alloy - 210 Bar	Steel - 350 Bar
Surface Treatment :	Alloy - Nil	Steel - Zinc Gold Passivation
Port Sizes :	P & T - 1/2" BSPP	A & B - 1/2" BSPP G - 1/4" BSPP

Included Components

Socket Head Cap Screws :	(Inc. 2 x M8 Nuts) 2 each M8 x 65
Flat Washers :	2 each M8

Technical Details



Subplate - No Relief Cavity

Part Number	Nominal Mass Kg
HSPC5DH	3.5
HSPC5DM	1.4

RELIEF VALVES SOLD SEPARATELY

SUN RELIEF VALVE	RPEC-LAN	(Suits Alloy)
SUN RELIEF VALVE	RPEC-LCN	(Suits Steel)
COMMON RELIEF VALVE	RP100-ABN	(Suits Alloy)
COMMON RELIEF VALVE	RP100-ACN	(Suits Steel)

Subplate - With Relief Cavity

Part Number	Nominal Mass Kg
HSPC5DHC	3.5
HSPC5DMC	1.4
HSPC5DHS	3.5
HSPC5DMS	1.4

CETOP 5