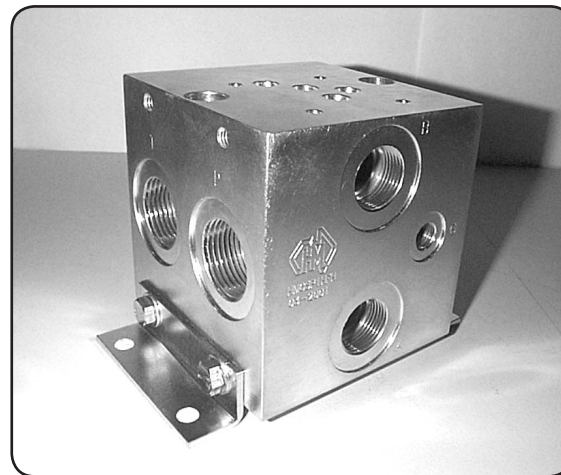




HMC5P*HF** Manifold - Cetop5 - Parallel - Hi-Flow

H M C 5 P * H F * *

H Hydraulic Manifold
M Cetop5
C Parallel
5 No. of Stations
P Hi-Flow Rate
*** H F * *** M = Alloy H = Steel
S = Sun Relief Cavity T3-A
C = Common Relief Cavity C12-2
 Omit If Relief Not Required



CETOP 5

Specifications

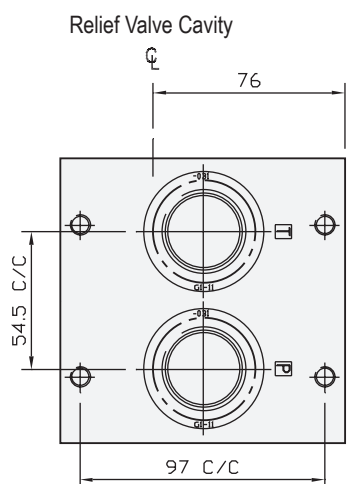
Material : Alloy 6061-T6 Steel - S1214
Max. Working Pressure : Alloy - 210 Bar Steel - 350 Bar
Surface Treatment : Alloy - Nil Steel - Zinc Gold Passivation
Port Sizes : P & T - 1" BSPP A & B - 3/4" BSPP G - 1/4" BSPP

Included Components

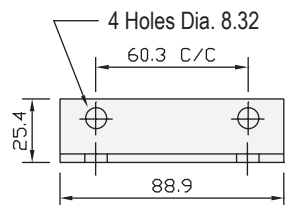
Mounting Brackets : 2 each HMMBC5H
Hex. Head Cap Screws : 8 each M8 x 16
Socket Head Cap Screws : 2 each M10 x 100 (Inc. 2 x M10 Nuts)
Flat Washers : 4 each M8

Technical Details

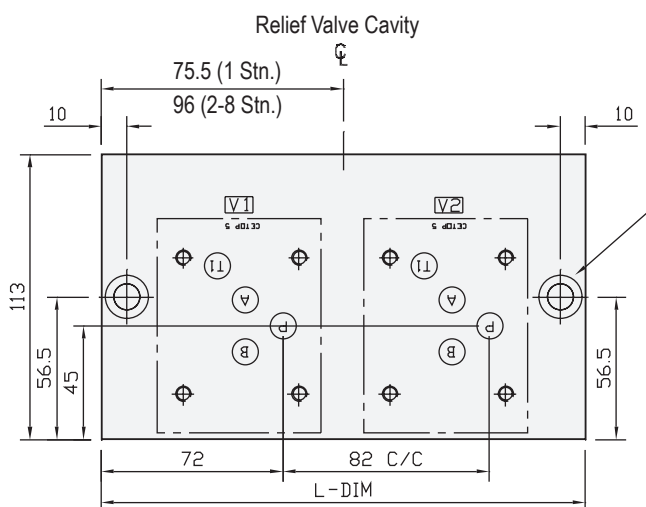
Valve Interface Mtg Threads M6



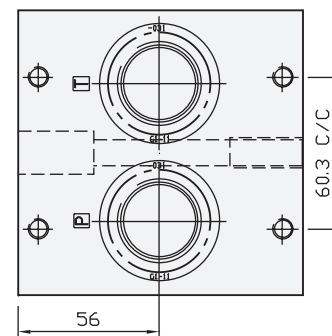
P & T-Ports Spotfaced
Both Ends Suit N9-031 O-Ring



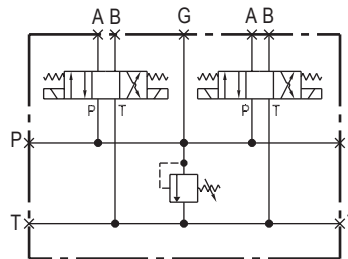
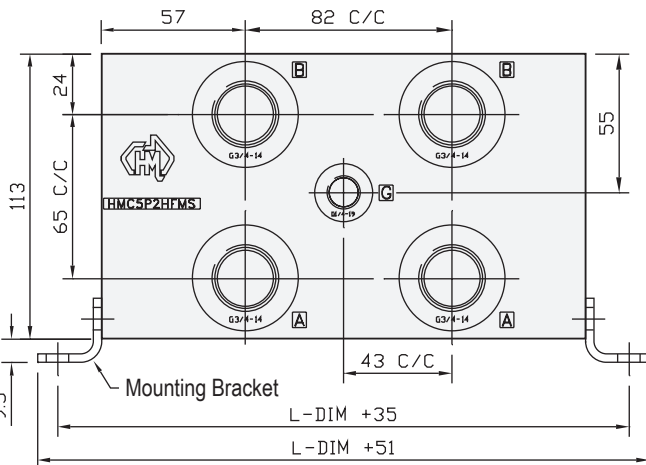
Mounting Bracket Detail



Mtgs to Suit M10 x 100 S.H.C.S.



M8 Mtgs to Suit Std. Cetop5
Mounting Bracket HMMBC5H



Manifold Circuit
(Shown With Relief Option)

Manifold - Without Relief Cavity

Part Number	Steel		Alloy	
	L Dim	Nominal Mass Kg	Part Number	Nominal Mass Kg
HMC5P1HFH	110	9.4	HMC5P1HFM	3.2
HMC5P2HFH	192	15.4	HMC5P2HFM	5.4
HMC5P3HFH	274	21.4	HMC5P3HFM	7.4
HMC5P4HFH	356	27.4	HMC5P4HFM	9.4

Manifold - With Relief Cavity

Part Number	Steel		Alloy	
	Part Number	Part Number	Part Number	Part Number
HMC5P1HFH * S or C	HMC5P1HFH * S or C	HMC5P1HFM * S or C	HMC5P1HFM * S or C	
HMC5P2HFH * S or C	HMC5P2HFH * S or C	HMC5P2HFM * S or C	HMC5P2HFM * S or C	
HMC5P3HFH * S or C	HMC5P3HFH * S or C	HMC5P3HFM * S or C	HMC5P3HFM * S or C	
HMC5P4HFH * S or C	HMC5P4HFH * S or C	HMC5P4HFM * S or C	HMC5P4HFM * S or C	

SUN RELIEF VALVE RPGC-LAN (Suits Alloy)
SUN RELIEF VALVE RPGC-LCN (Suits Steel)
COMMON RELIEF VALVE RP200-ABN (Suits Alloy)
COMMON RELIEF VALVE RP200-ACN (Suits Steel)

All Hi-Flow Manifolds made to order

RELIEF VALVES SOLD SEPARATELY