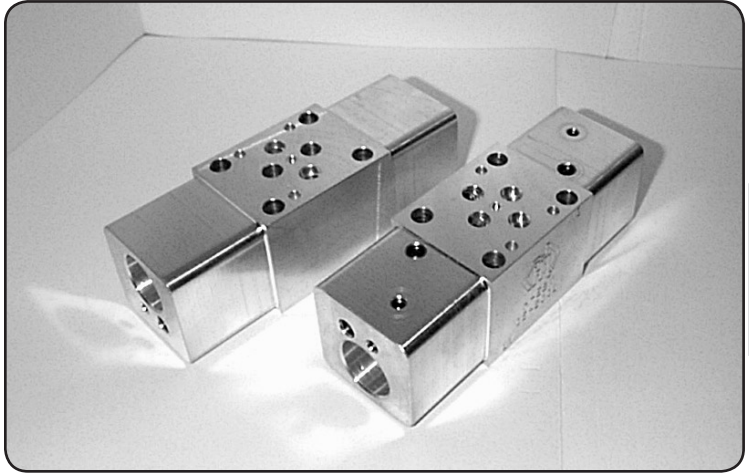
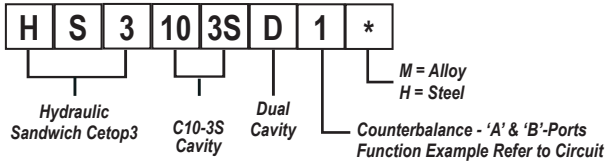




# HS3103SD1\* Sandwich Body - Cetop3 - Single C10-3S Cavity

## Counterbalance - A & B-Ports



CETOP 3

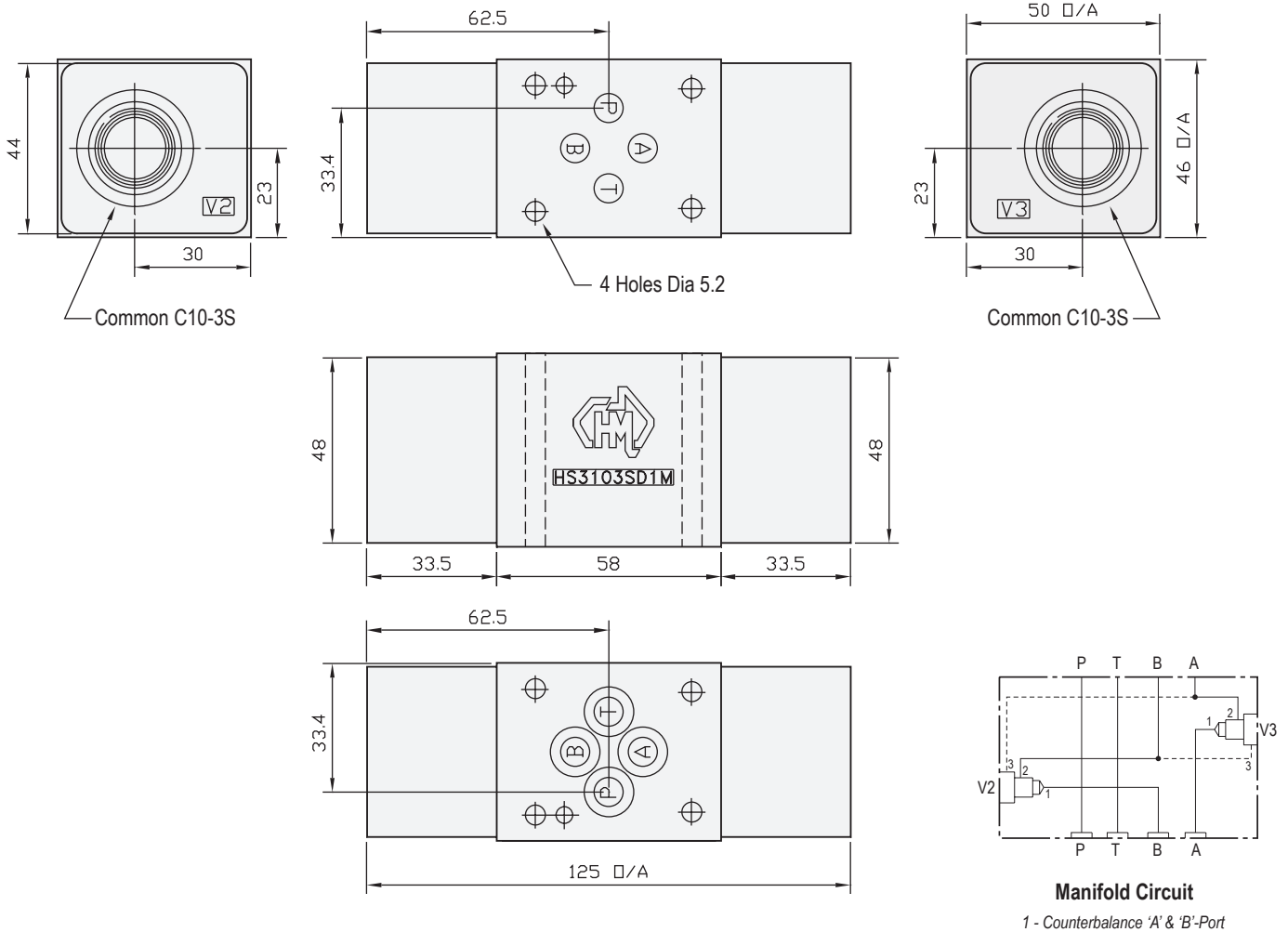
### Specifications

Material :	Alloy 6061-T6	Steel - S1214
Max. Working Pressure :	Alloy - 210 Bar	Steel - 350 Bar
Surface Treatment :	Alloy - Nil	Steel - Zinc Gold Passivation

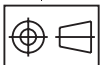
### Included Components

O-Rings :	4 each N9-012
Locating Pin :	1 each Dia. 4 mm x 10 mm

### Technical Details



Projection



Part Number	Nominal Mass Kg
HS3103SD1H	2.5
HS3103SD1M	0.7

Industry Std. C10-3S Cavity Form Suitable for the Following Valve Manufacturers :  
**Modular , Hydraforce & Sterling**

Please Ensure Valve Selection is Suitable for your Application  
 For More Information Contact H.M.A. Sales