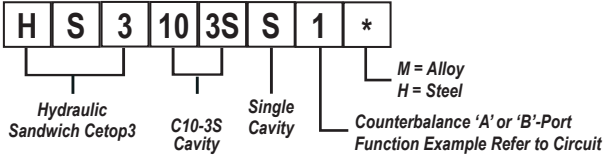




HS3103SS1* Rotational Sandwich Body - Cetop3 - Single C10-3S Cavity

Counterbalance A or B-Port

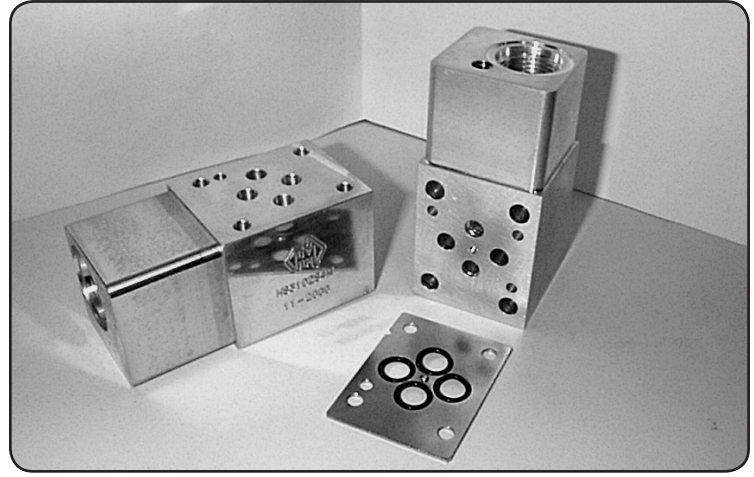


Specifications

Material :	Alloy 6061-T6	Steel - S1214
Max. Working Pressure :	Alloy - 210 Bar	Steel - 350 Bar
Surface Treatment :	Alloy - Nil	Steel - Zinc Gold Passivation

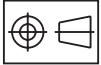
Included Components

O-Ring Plate :	1 each HSC30P1H
O-Rings :	4 each N9-012
Locating Pin :	1 each Dia. 4 mm x 10 mm

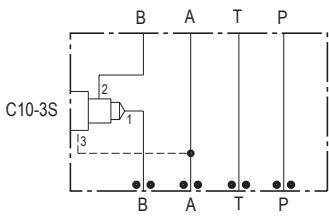
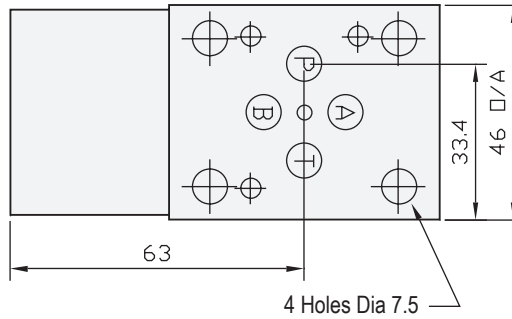
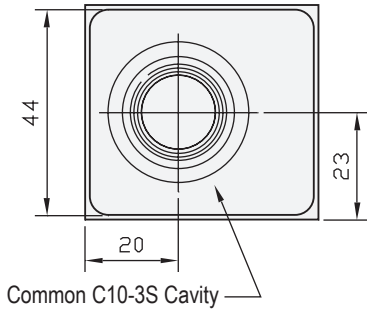
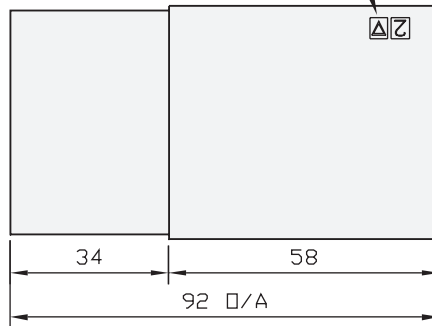


Technical Details

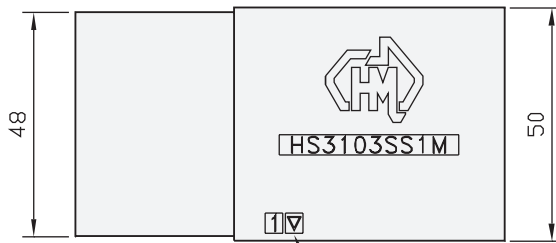
Projection



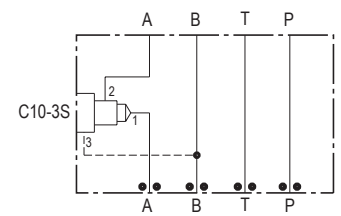
Refer to Circuit Example 2



Circuit Option , Example 1
1 - Counterbalance 'B'-Port



Refer to Circuit Example 1



Circuit Option , Example 2
1 - Counterbalance 'A'-Port

Part Number	Nominal Mass Kg
HS3103SS1H	1.5
HS3103SS1M	0.5

HSC30P1H - O-Ring Plates
Also Available Separately

Industry Std. C10-3S Cavity Form Suitable for the Following Valve Manufacturers :
Modular , Hydraforce & Sterling

Please Ensure Valve Selection is Suitable for your Application
For More Information Contact H.M.A. Sales