



HS3103S2* Sandwich Body - Cetop3 - Single C10-3 Cavity

CETOP 3

P-Port Relief

H S 3 10 3 S 2 *

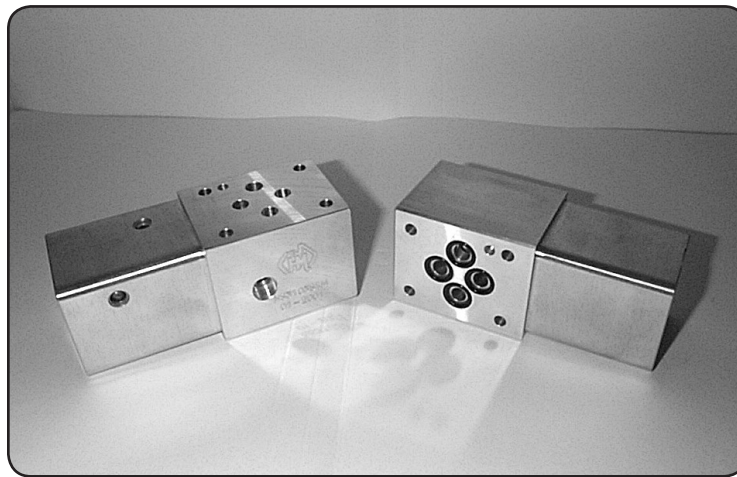
H = Alloy
 S = Steel
 3 = Hydraulic Sandwich Cetop3
 10 = C10-3 Cavity
 3 = Single Cavity
 S = 'P'-Port Relief
 2 = Function Example Refer to Circuit
 * =

Specifications

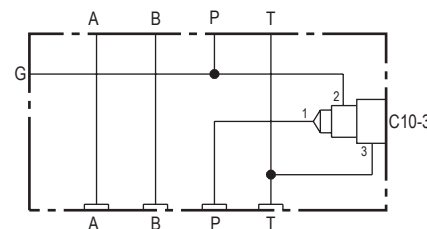
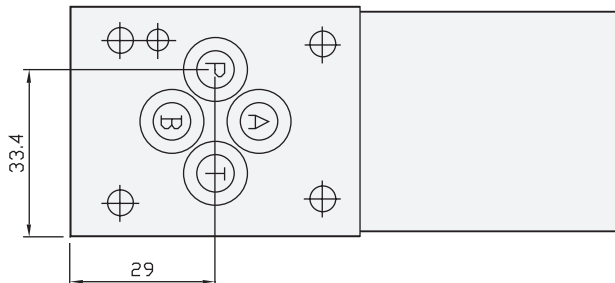
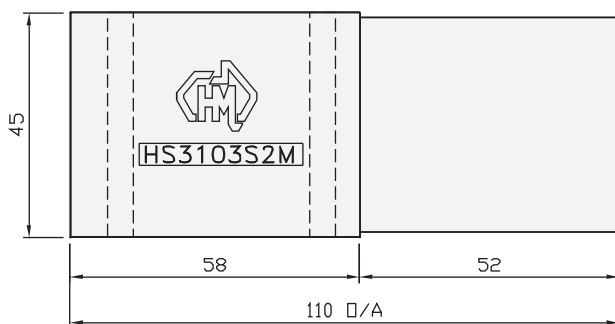
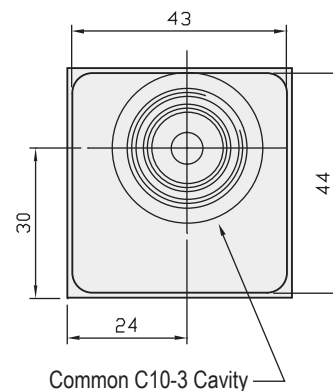
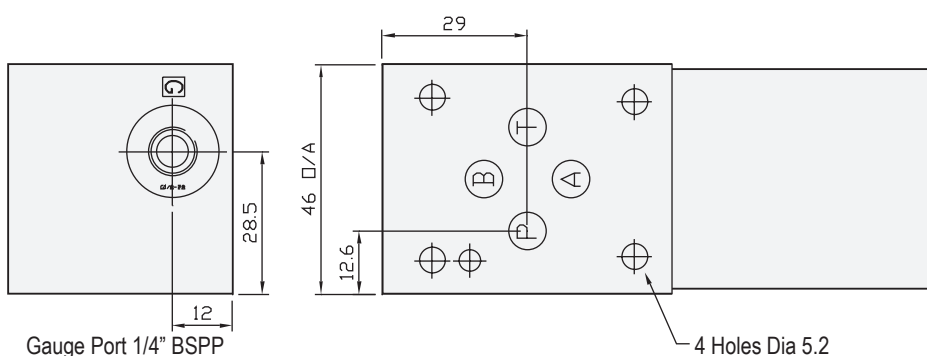
Material : Alloy 6061-T6 Steel - S1214
Max. Working Pressure : Alloy - 210 Bar Steel - 350 Bar
Surface Treatment : Alloy - Nil Steel - Zinc Gold Passivation

Included Components

O-Rings : 4 each N9-012
Locating Pin : 1 each Dia. 4 mm x 10 mm



Technical Details



Manifold Circuit
1 - 'P'-Port Sequence

Projection



Part Number	Nominal Mass Kg
HS3103S2H	1.2
HS3103S2M	0.5

Industry Std. C10-3 Cavity Form Suitable for the Following Valve Manufacturers :
Modular , Delta , Parker , Compact & Sterling

Please Ensure Valve Selection is Suitable for your Application
For More Information Contact H.M.A. Sales