



HS3102D1* Sandwich Body - Cetop3 - Dual C10-2 Cavity

A & B-Port to Tank

H S 3 10 2 D 1 *

H Hydraulic Sandwich Cetop3
S Common C10-2 Cavity
3 Dual Cavity
10 'A' & 'B'-Port to Tank
2 Function Example Refer to Circuit
D M = Alloy
1 H = Steel

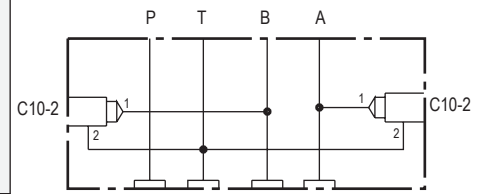
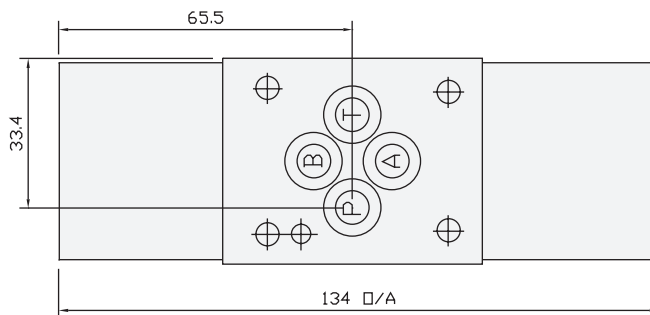
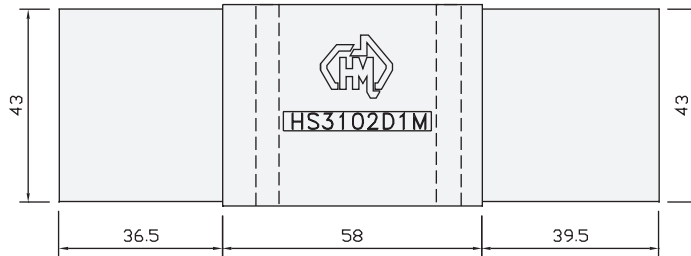
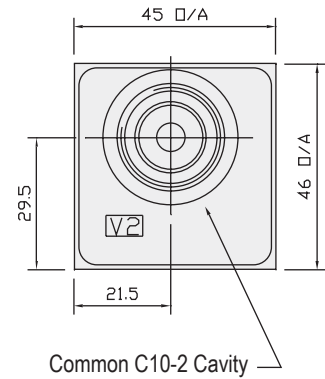
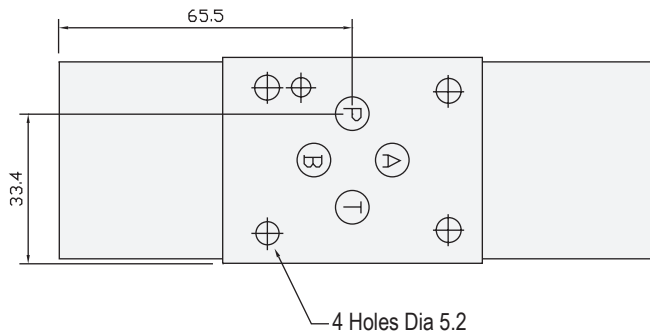
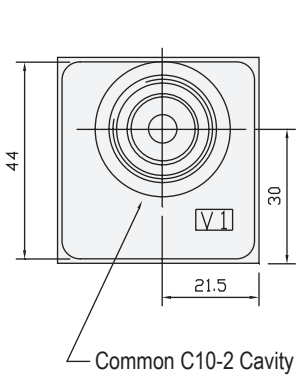
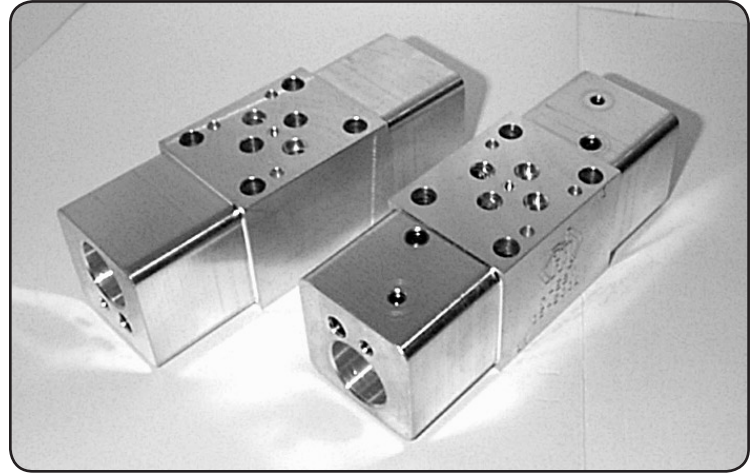
Specifications

Material :	Alloy 6061-T6	Steel - S1214
Max. Working Pressure :	Alloy - 210 Bar	Steel - 350 Bar
Surface Treatment :	Alloy - Nil	Steel - Zinc Gold Passivation

Included Components

O-Rings : 4 each N9-012
Locating Pin : 1 each Dia. 4 mm x 10 mm

Technical Details



Manifold Circuit

- 1 - Solenoid Dump Valve ('A' & 'B'-Port to Tank)
- 2 - Dual Flow Control Valve 'A' & 'B'-Ports to Tank
- 3 - Relief 'A' & 'B'-Ports to Tank

Projection



Part Number	Nominal Mass Kg
HS3102D1H	2.5
HS3102D1M	0.7

Industry Std. C10-2 Cavity Form Suitable for the Following Valve Manufacturers :
Modular , Delta , Parker , Hydraforce , Compact & Sterling

Please Ensure Valve Selection is Suitable for your Application
 For More Information Contact H.M.A. Sales

SOLD SEPARATELY IF REQUIRED
 COMMON RELIEF VALVE - RP100-ABN (Suits Alloy) - RP100-ACN (Suits Steel)