



HVSC3S*

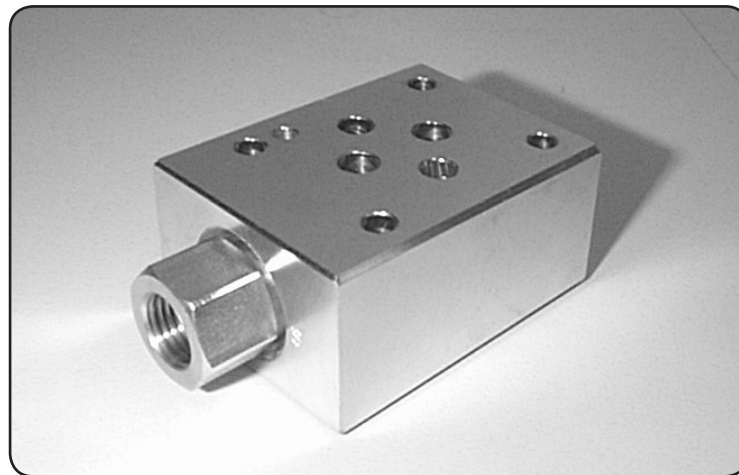
Shuttle Sandwich - Cetop3

H V S C 3 S *

Hydraulic
Valve Module

Cetop3

H = Steel
M = Alloy
Shuttle Cartridge
Sun T162-A Cavity



CETOP 3

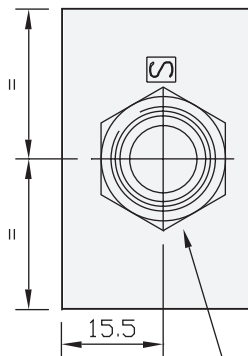
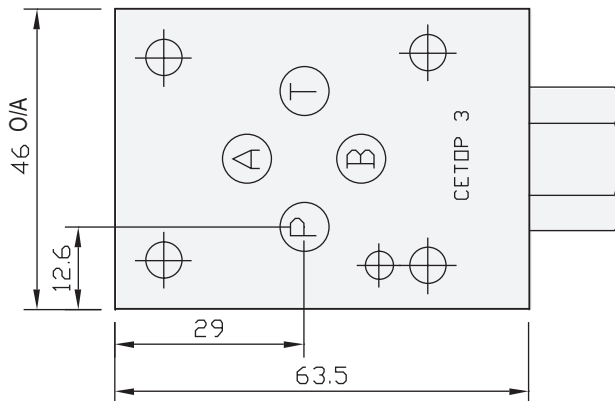
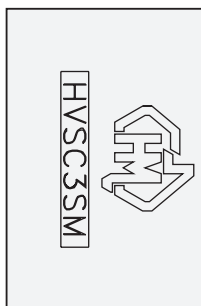
Specifications

Material :	Alloy 6061-T6	Steel - S1214
Max. Working Pressure :	Alloy - 210 Bar	Steel - 350 Bar
Surface Treatment :	Alloy - Nil	Steel - Zinc Gold Passivation

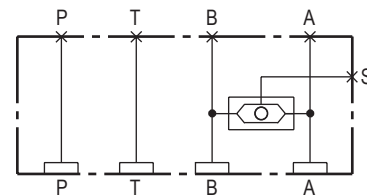
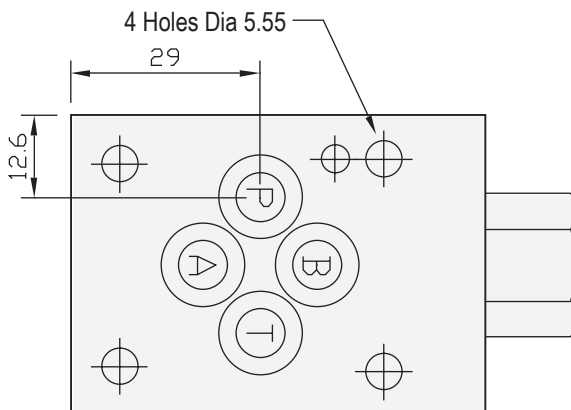
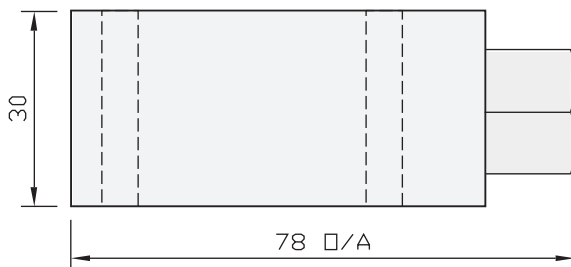
Included Components

O-Rings :	4 each N9-012
Shuttle Cartridge Valve :	1 each CSAW-BXN

Technical Details



Shuttle Cartridge
CSAW-BXN
Port Size 1/4" BSPP



Manifold Circuit

Projection



Part Number	Nominal Mass Kg
HVSC3SH	0.8
HVSC3SM	0.4



Available Separately
CSAW-BXN
Shuttle Valve