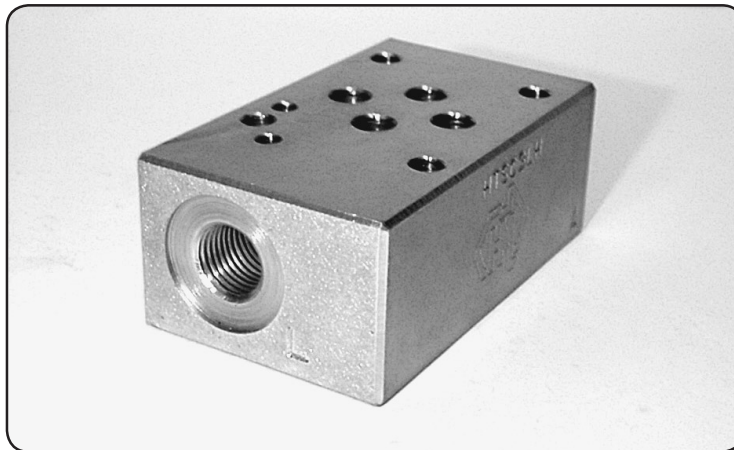




HTSC3L* Tapping Sandwich - Cetop3 - L-Port

H T S C 3 L *

Hydraulic Tapping Sandwich
Cetop3
L - Port
M = Alloy
H = Steel



CETOP3

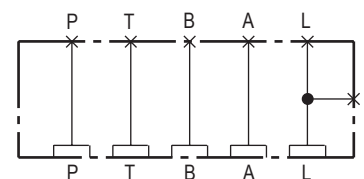
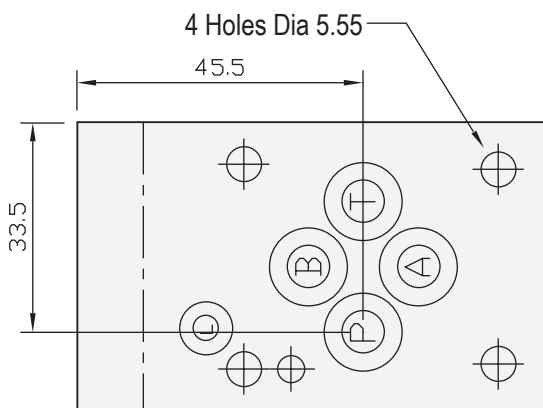
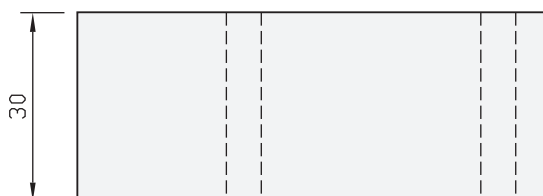
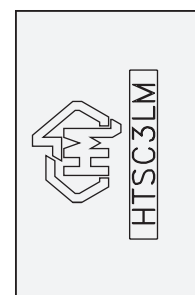
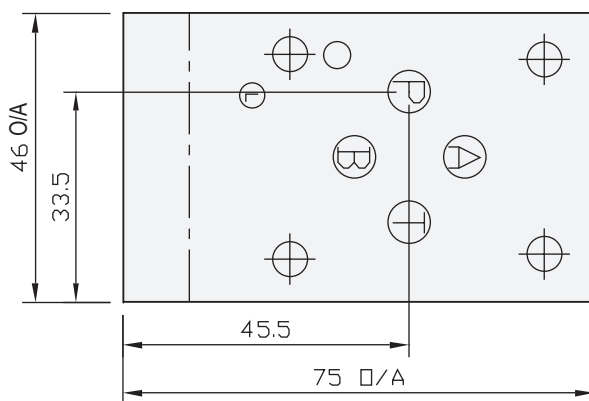
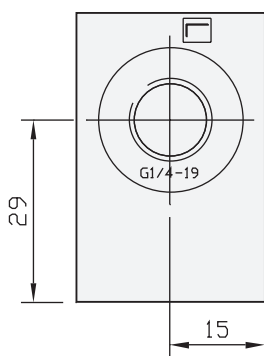
Specifications

Material :	Alloy 6061-T6	Steel - S1214
Max. Working Pressure :	Alloy - 210 Bar	Steel - 350 Bar
Surface Treatment :	Alloy - Nil	Steel - Zinc Gold Passivation
Port Sizes :	L - 1/4" BSPP	

Included Components

O-Rings : 1 each N9-009 , 4 each N9-012

Technical Details



Manifold Circuit

Projection



Part Number	Nominal Mass Kg
HTSC3LH	0.75
HTSC3LM	0.25