



HTSC3PT* Tapping Sandwich - Cetop3 - P & T Ports

H T S C 3 P T *

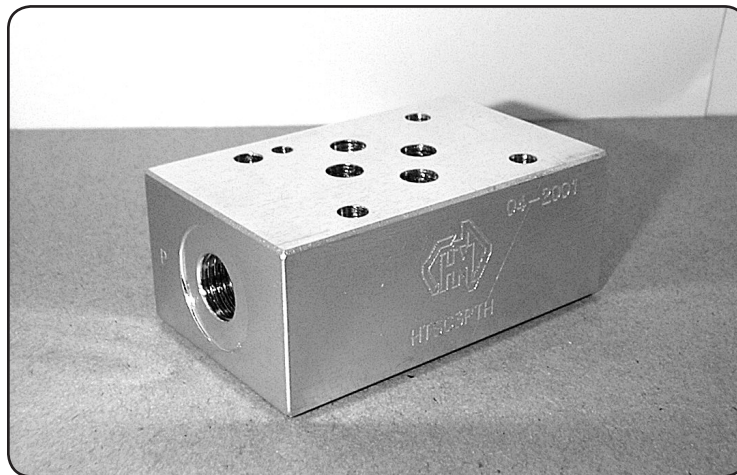
Hydraulic Tapping Sandwich
 Cetop3
 P & T Ports
 M = Alloy
 H = Steel

Specifications

Material :	Alloy 6061-T6	Steel - S1214
Max. Working Pressure :	Alloy - 210 Bar	Steel - 350 Bar
Surface Treatment :	Alloy - Nil	Steel - Zinc Gold Passivation
Port Sizes :	P & T - 1/4" BSPP	

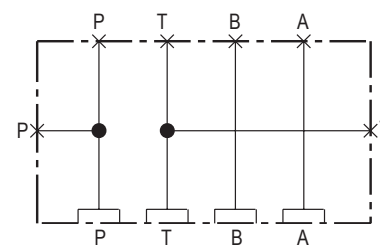
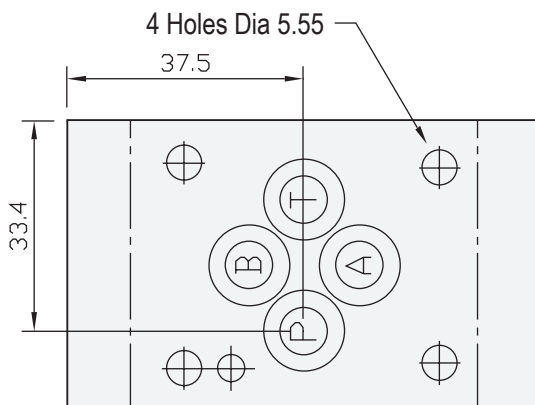
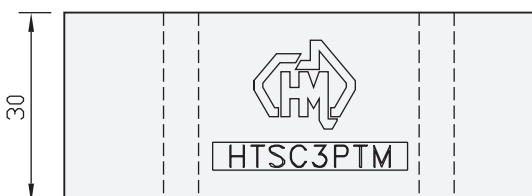
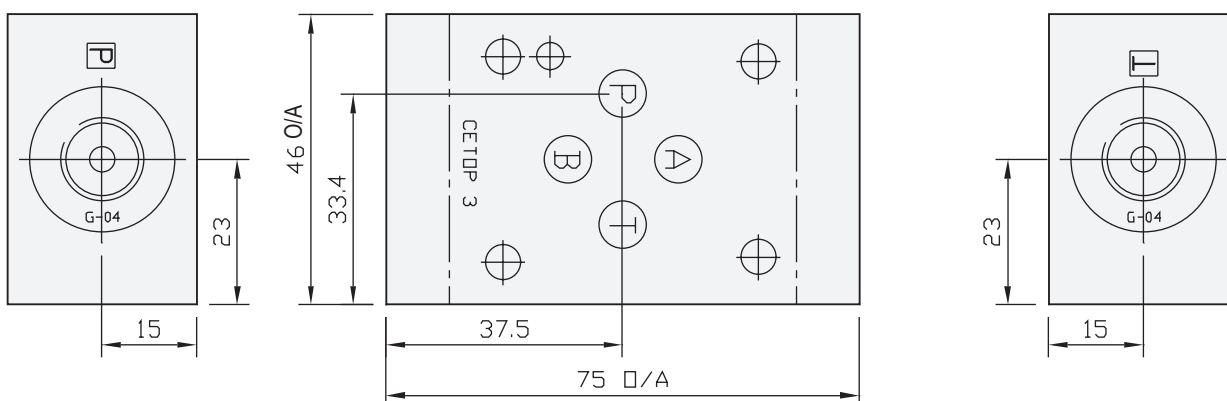
Included Components

O-Rings : 4 each N9-012



CETOP 3

Technical Details



Manifold Circuit



Part Number	Nominal Mass Kg
HTSC3PTH	0.7
HTSC3PTM	0.25