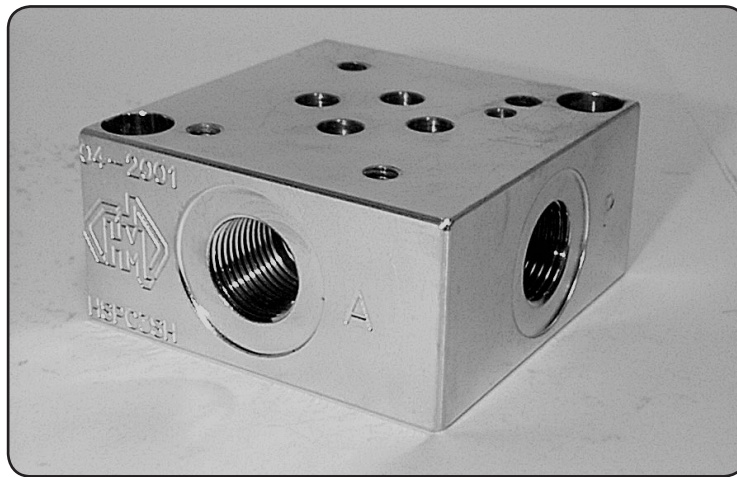
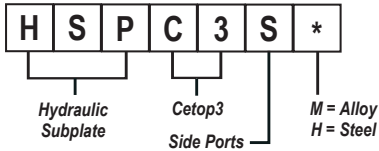




HSPC3S*

Subplate - Cetop3 - Side Ports



CETOP 3

Specifications

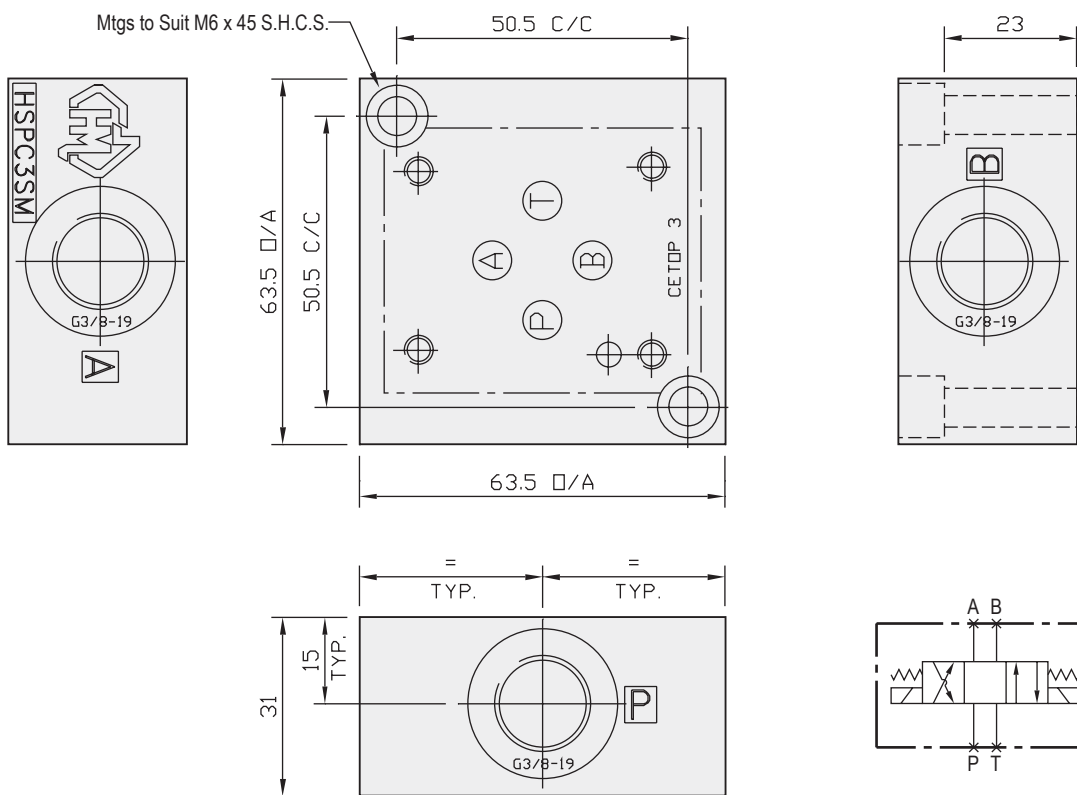
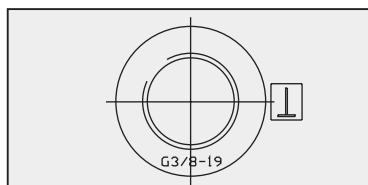
Material :	Alloy - 6061-T6	Steel - S1214
Max. Working Pressure :	Alloy - 210 Bar	Steel - 350 Bar
Surface Treatment :	Alloy - Nil	Steel - Zinc Gold Passivation
Port Sizes :	P & T - 3/8" BSPP	A & B - 3/8" BSPP

Included Components

Socket Head Cap Screws :	(Inc. 2 x M6 Nuts) 2 each M6 x 45
Flat Washers :	2 each M6

Technical Details

Valve Interface Mtg Threads M5



Projection



Part Number	Nominal Mass Kg
HSPC3SH	0.9
HSPC3SM	0.4