



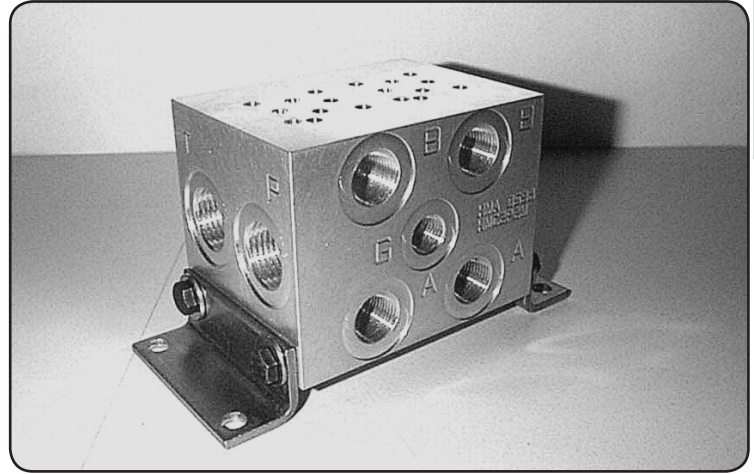
HMC2S ***

Manifold - Cetop2 - Series

CETOP 2

H M C 2 S * * *

H Hydraulic Manifold
M Cetop2
C Series
2 No. of Stations
S M = Alloy
 H = Steel
***** S = Sun Relief Cavity T162-A
***** C = Common Relief Cavity C10-2
***** Omit If Relief Not Required



Specifications

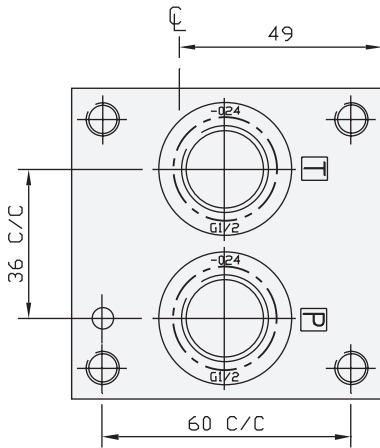
Material : Alloy 6061-T6 Steel - S1214
Max. Working Pressure : Alloy - 210 Bar Steel - 350 Bar
Surface Treatment : Alloy - Nil Steel - Zinc Gold Passivation
Port Sizes : P & T - 1/2" BSPP A & B - 3/8" BSPP G - 1/4" BSPP

Included Components

Mounting Brackets : 2 each HMMBC3H
Hex. Head Set Screws : 8 each M8 x 16
Socket Head Cap Screws : 4 each M6 x 75 (Inc. 2 x M6 Nuts)
Flat Washers : 4 each M8
O-Rings : (For Module Mtg) 2 each N9-024

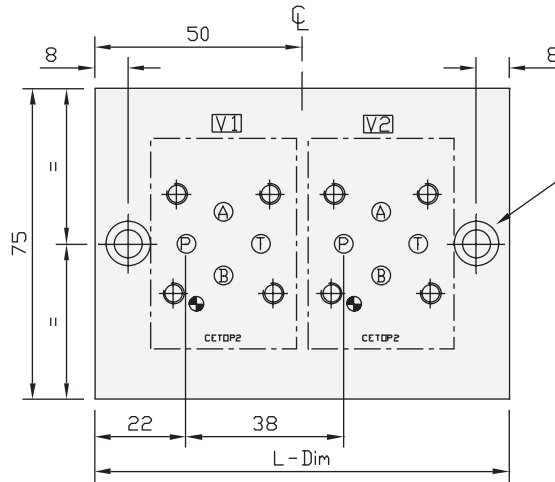
Technical Details

Relief Valve Cavity



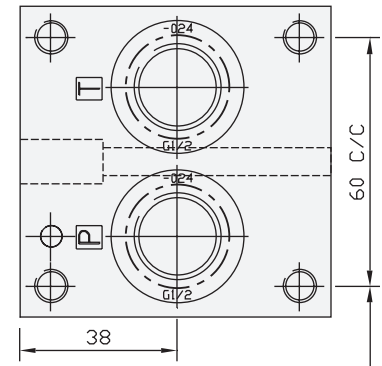
P & T-Ports Spotfaced
Both Ends Suit N9-024 O-Ring

Relief Valve Cavity

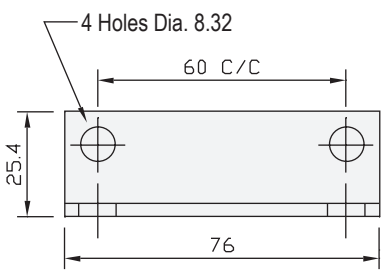
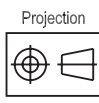


Valve Interface Mtg Threads M5

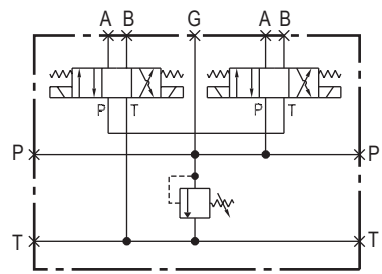
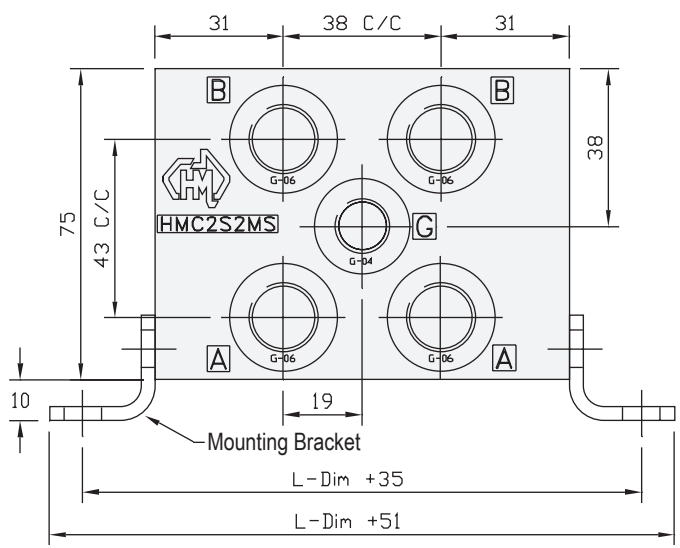
Mtgs to Suit M6 x 75 S.H.C.S.



M8 Mtgs to Suit Std. Cetop3
Mounting Bracket HMMBC3H



Mounting Bracket Detail



Manifold Circuit
(Shown with Relief Option)

Manifold - Without Relief Cavity

Steel		
Part Number	L Dim	Nominal Mass Kg
HMC2S2H	100	3.5
HMC2S3H	138	4.5
HMC2S4H	176	5.5
HMC2S5H	214	6.5
HMC2S6H	252	7.5

Alloy		
Part Number	L Dim	Nominal Mass Kg
HMC2S2M	100	1.4
HMC2S3M	138	1.8
HMC2S4M	176	2.2
HMC2S5M	214	2.7
HMC2S6M	252	3.2

Manifold - With Relief Cavity

Steel		Alloy	
Part Number		Part Number	
HMC2S2H*	S or C	HMC2S2M*	S or C
HMC2S3H*	S or C	HMC2S3M*	S or C
HMC2S4H*	S or C	HMC2S4M*	S or C
HMC2S5H*	S or C	HMC2S5M*	S or C
HMC2S6H*	S or C	HMC2S6M*	S or C

ALL SIZES MADE TO ORDER

RELIEF VALVES SOLD SEPARATELY

SUN RELIEF VALVE RPCC-LAN (Suits Alloy)
 SUN RELIEF VALVE RPCC-LCN (Suits Steel)
 COMMON RELIEF VALVE RP100-ABN (Suits Alloy)
 COMMON RELIEF VALVE RP100-ACN (Suits Steel)