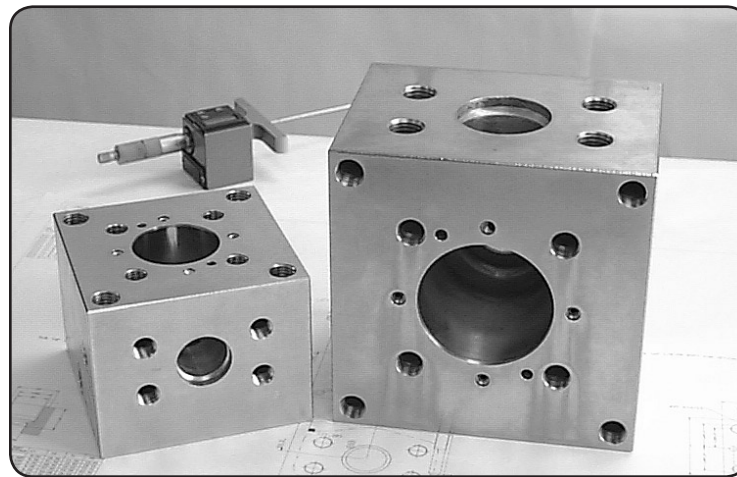




HLH**F62* Logic Housing - Din24342 - Code 62 - Flange Ports

H L H * * F 6 2 *



Specifications

Material :	Alloy - 6061 T6	Steel - S1214
Max. Working Pressure :	Alloy - 210 Bar	Steel - 350 Bar
Surface Treatment :	Alloy - Nil	Steel - Zinc Gold Passivation

Included Components

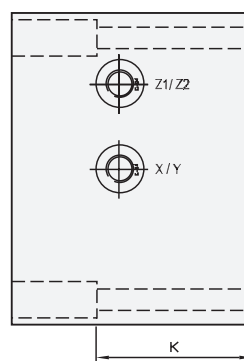
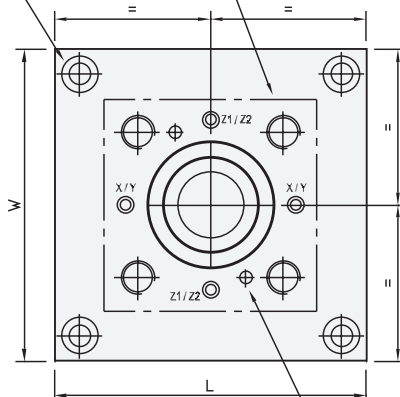
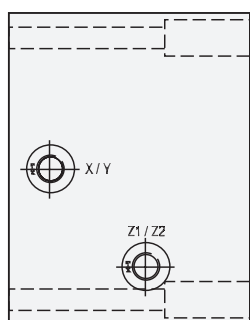
Orifice Plugs 0.4mm:	4 each 1/16" NPT
Option Plugs :	2 each 1/16" NPT

Technical Details

Projection

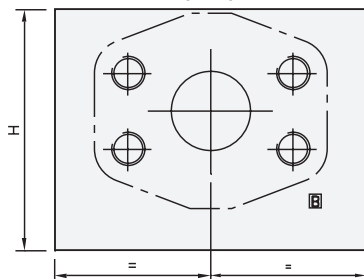


LIFT POINT SIZE 32 - 63 NG DIN 24342



ROTATION OF VALVE ENABLES USE OF OPTIONAL CIRCUITS AS SHOWN

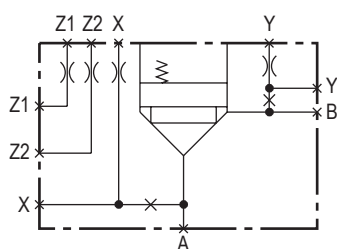
OPTIONAL DOWEL LOCATIONS PERMIT VALVE ROTATION



L Dim	C/C Dim	W Dim	H Dim	K Dim	Flange Mtg Thread	D Dia
105	85	98	76	60	7/16" UNC x 18	10.32
126	100	126	98	65	1/2" UNC x 26	10.32
150	126	150	110	75	5/8" UNC x 25	10.32
196	166	196	136	75	3/4" UNC x 34	10.32

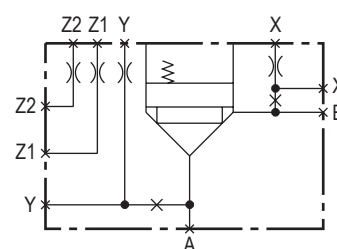
Part Number	A & B Ports	X & Y Ports	Z1 & Z2 Ports
HLH16F62*	1" SAE	1/4"BSPP	1/4"BSPP
HLH25F62*	1-1/4" SAE	3/8"BSPP	3/8"BSPP
HLH32F62*	1-1/2" SAE	3/8"BSPP	3/8"BSPP
HLH40F62*	2" SAE	3/8"BSPP	3/8"BSPP

CIRCUIT OPTION 1

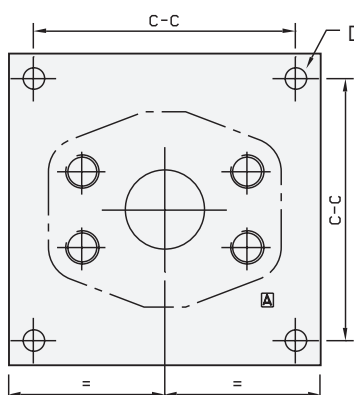


)(ORIFICE PLUG
× OPTION PLUG

CIRCUIT OPTION 2



)(ORIFICE PLUG
× OPTION PLUG



Alloy

Part Number	Nominal Mass
HLH16F62M	1.5
HLH25F62M	3.5
HLH32F62M	7.3
HLH40F62M	9.5

FLANGE PORTS HAVE IMPERIAL MTGS
METRIC FLANGE MTGS ARE OPTIONAL
PLEASE STATE AT POINT OF ORDER

NG50 & NG63 SAE LOGIC HOUSINGS MADE TO ORDER

Steel

Part Number	Nominal Mass
HLH16F62H	7.0
HLH25F62H	12.5
HLH32F62H	21.0
HLH40F62H	41.0

LOGICS